

## FPQ10 Accessories

Vehicle / Wall -Cradle

Desktop Docking

Bumper

Handstrap

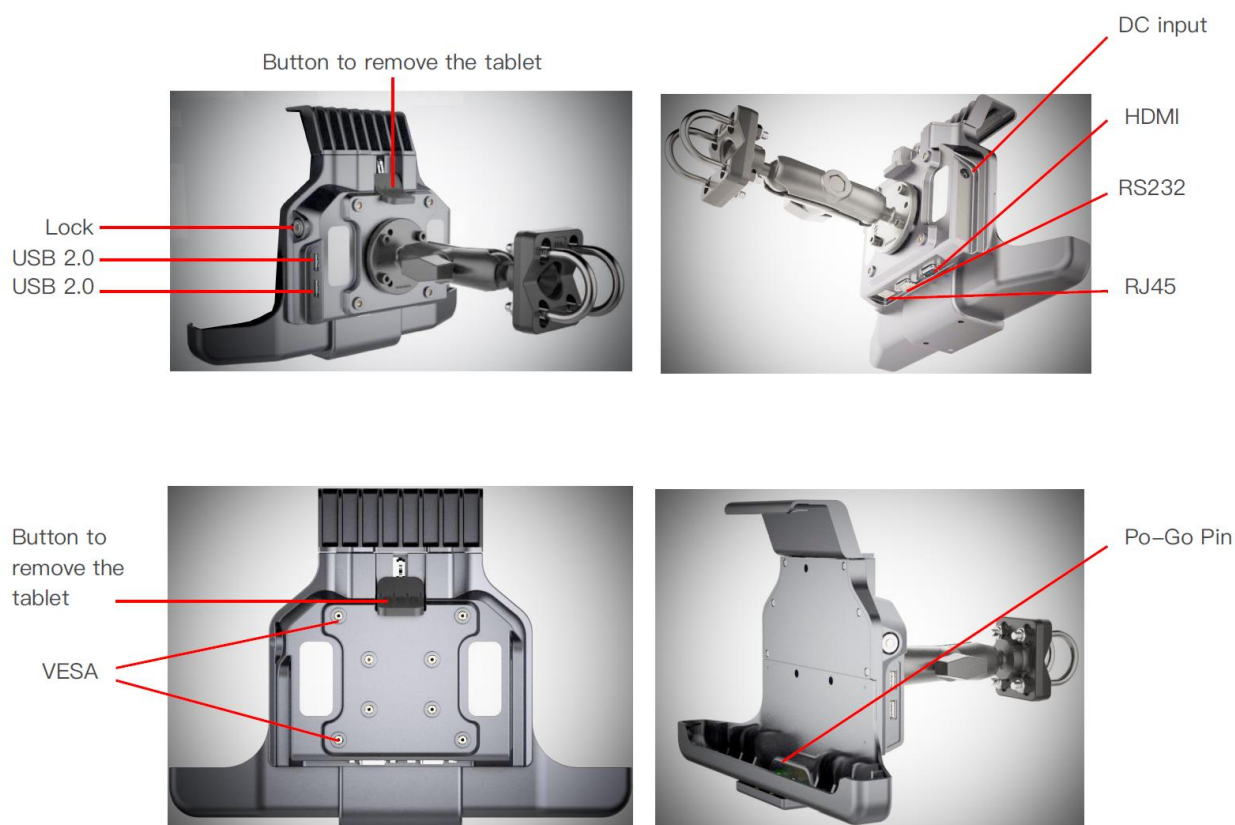
Digital Pen

Bluetooth Card Reader



## Vehicle/Wall -Cradle

<b>DC in</b>	DC 9V-36V (3A (MAX)
<b>Data interface</b>	USB2.0 X 2, RS232 X 1, RJ45 X 1, HDMI X 1,DC-input X 1
<b>range of working temperature</b>	-10°C~ +50°C
<b>storage temperature</b>	-20°C~ +60°C
<b>Working humidity range</b>	5% to 95% RH Non-condensing state
<b>IP protection / Reliability</b>	IP30 / 0.8m falling to the concrete floor
<b>Spring pin connector</b>	On resistance < 100mΩ
<b>Anti-static grade</b>	Contact static test<8KV
<b>Weight</b>	320g
<b>Dimensions</b>	298mm×242mm×158mm
<b>Standard accessories</b>	Universal adapter×1, packaging material



## Instructions for use

- Place the whole machine on a single-type charger;
- Using AC power, insert the AC plug of the matching power adapter into a standard socket and make it in good contact;
- The DC end is connected to the base, and the indicator light is red at this time, indicating that the power of the base is connected;
- The charging status of the Athena Pad Air is subject to the Pad Air charging indicator, that is, the red light is on to indicate that it is charging, and the green light is on to indicate that the battery is fully charged.
- Before using this equipment, please carefully read the product instructions and product surface markings;
- During use, keep away from heat and high voltage, avoid children playing with the equipment, and do not hit the charger;
- Please keep the spring pin connector clean. Do not allow other metal objects to directly touch the spring pin connector of the charger during use, otherwise it may be dangerous or cause a short circuit and damage the product;
- Do not drop the device and subject it to impact, or use it in a strong vibration environment to avoid damage or affect the charging effect;
- This device can only be charged with the matching power adapter;
- Please consult your local dealer or our company's customer service center in case of failure.

## Desktop Docking

<b>DC in</b>	DC 9V-36V (3A (MAX)
<b>Data interface</b>	2x USB2.0, 1x RS232, 1x RS384, 1xRJ45, 1x DC-input
<b>range of working temperature</b>	-10°C~ +50°C
<b>storage temperature</b>	-20°C~ +60°C
<b>Working humidity range</b>	5% to 95% RH Non-condensing state
<b>IP protection / Reliability</b>	IP30 / 0.8m falling to the concrete floor
<b>Spring pin connector</b>	On resistance < 100mΩ
<b>Anti-static grade</b>	Contact static test<8KV
<b>Weight</b>	280g
<b>Dimensions</b>	180 mm×120mm×50,5mm
<b>Standard accessories</b>	Universal adapter×1, packaging material



## Instructions for use

- Place the whole machine on a single-type charger;
- Using AC power, insert the AC plug of the matching power adapter into a standard socket and make it contact well;
- The DC end is connected to the base, and the indicator light is red at this time, indicating that the power of the base is connected;
- The charging status of the Athena Pad Air is subject to the Athena Pad Air charging indicator, that is, the red light is on to indicate that it is charging, and the green light is on to indicate that the battery is fully charged.
  
- Before using this equipment, please carefully read the product instructions and product surface markings;
- During use, keep away from heat and high voltage, avoid children playing with the equipment, and do not hit the charger;
- Please keep the spring pin connector clean. Do not allow other metal objects to directly touch the spring pin connector of the charger during use, otherwise it may be dangerous or cause a short circuit and damage the product;
- Do not drop the device and subject it to impact, or use it in a strong vibration environment to avoid damage or affect the charging effect;
- This device can only be charged with the matching power adapter;
- Please consult your local dealer or our company's customer service center in case of failure.

## Bumper

Additional protection for the tablet with the bumper. All connections, cameras and scanners can still be used.



## Handstrap

Safe one-hand operation.  
The hand strap is screwed onto the tablet with four screws.



## Digital Pen

Digitizer active pen (rechargeable via micro-USB)



## Bluetooth Card Reader

ISO/IEC 7816-1,2,3,4; ISO 14443 Type A and Type B;  
BLE for mobile devices; Micro USB for connecting PC and recharging

